

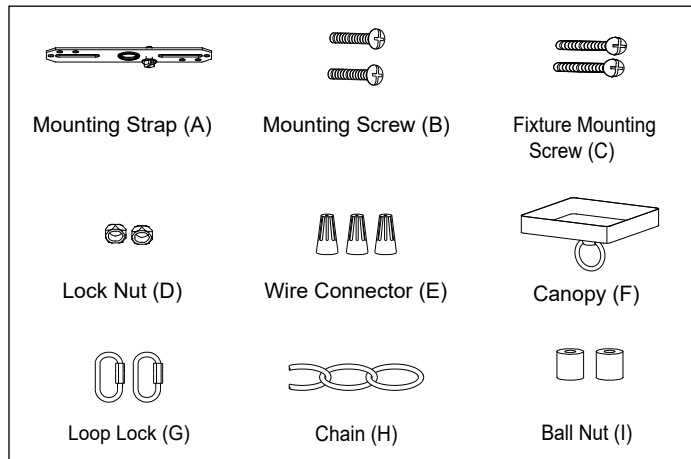
ASSEMBLY AND INSTALLATION INSTRUCTIONS

P0323

WARNING: TO AVOID RISK OF ELECTRICAL SHOCK, BE SURE TO SHUT OFF POWER WHILE INSTALLING OR SERVICING THIS FIXTURE.

NOTES: 1. Before installing, consult local electrical codes for wiring and grounding requirements.
2. READ AND SAVE THIS INSTRUCTION.

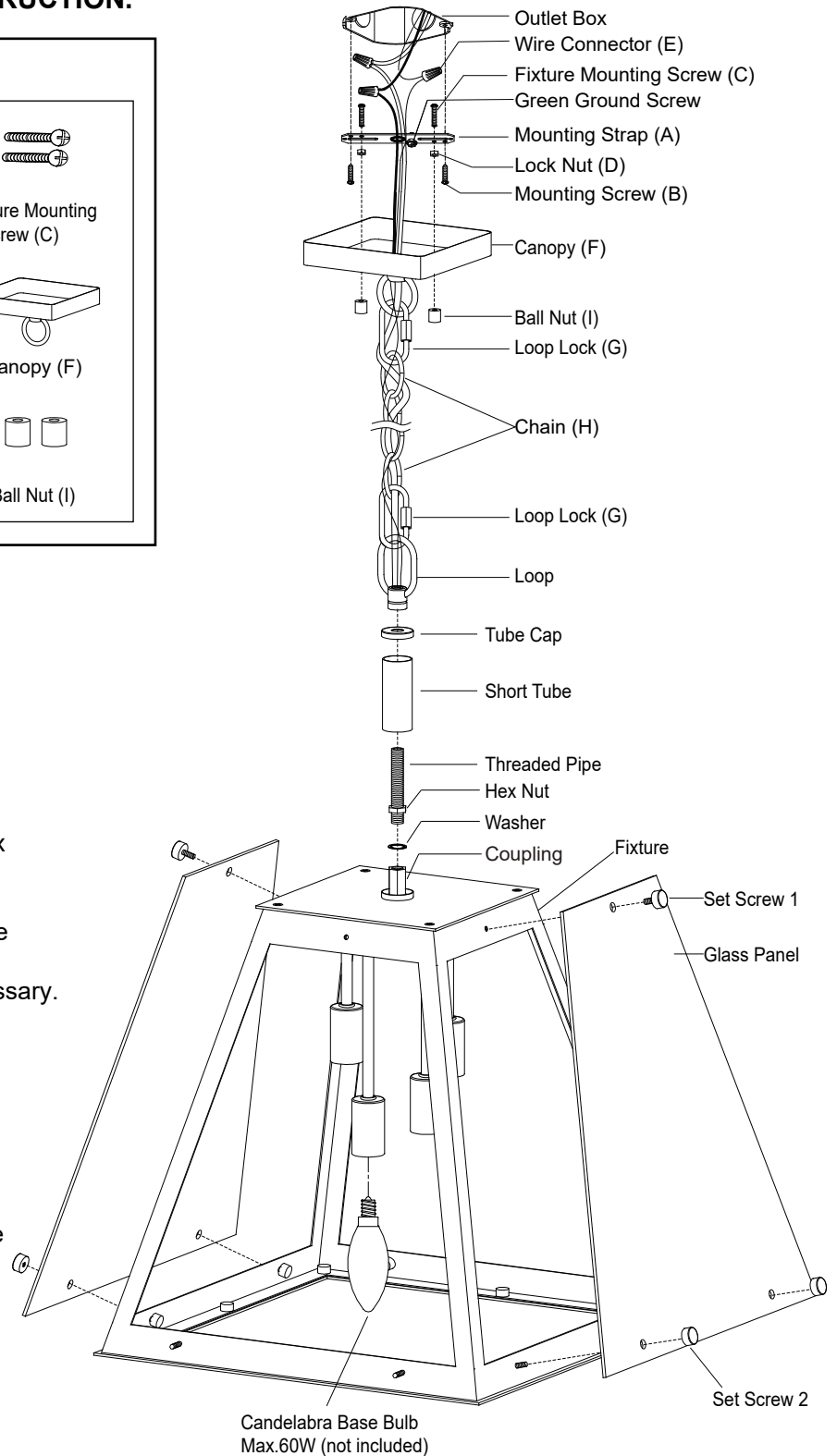
Hardware Package(inculded):



Installation Steps

Turn off the power at fuse or circuit box.

1. Attach two fixture mounting screws (C) to the mounting strap (A), then secure it with two lock nuts (D). Adjust the length of the fixture mounting screws (C) if necessary.
2. Attach the mounting strap (A) to the outlet box using two mounting screws (B).
3. Attach the threaded pipe to the coupling of the fixture, secure it with a washer and hex nut. Adjust the length of the threaded pipe if necessary.
4. Attach the short tube and tube cap onto the coupling by inserting the threaded pipe, then secure with the tube cap and loop.
5. Choose the length of the chain (H) you need, use pliers (not included) to open and remove links to short the chain, then weave the fixture wire and the fixture ground wire through the chain (H) and canopy (F).
6. Connect one end of the chain (H) with the loop by using a loop lock (G).
7. Connect the other end of the chain (H) by using another loop lock (G).
8. Thread the fixture wire and fixture ground wire through mounting strap (A).



VAXCEL

191226

9. Pull out the outlet wires and house ground wire from the outlet box.
Make wire connections using the wire connectors (E):
 ---The smooth wire (marked) from the fixture to the black wire from the power source.
 ---The ridged wire (unmarked) from the fixture to the white wire from the power source.
 ---Attach the fixture ground wire to the mounting strap (A) with the green ground screw. Then connect it to the house ground wire with a wire connector (E).
 Carefully put the wires back into the outlet box.
10. Attach the canopy (F) to the mounting strap (A) .
11. Install the crystal drops A , crystal drops B and crystal drops C as shown in diagram.
(See Fig.1 and Fig.2)
12. Attach 4pcs glass panels to fixture and lock it with set screws 1 for upper side and set screws 2 for bottom side.
13. Install the bulbs (not included). Check relamping label at socket area or packaging for maximum wattage allowed .
14. Attach the canopy (F) onto the outlet and tighten it with two ball nuts (I).

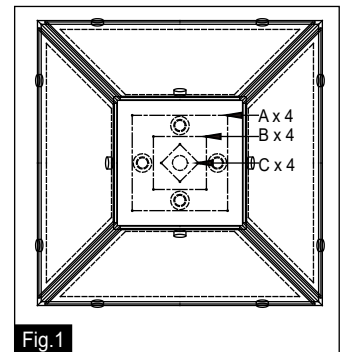


Fig.1

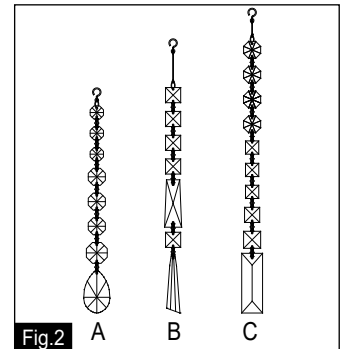


Fig.2

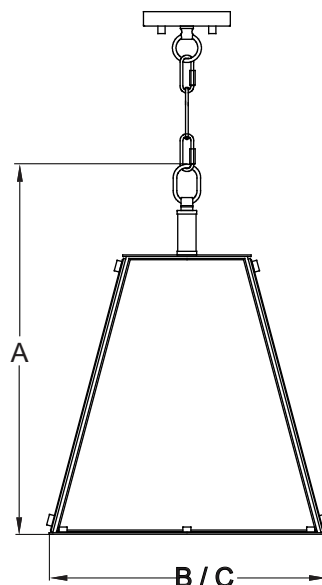
Turn on the power at fuse or circuit box.

The following parts are available for re-order if damaged or missing.

Spare Parts List:

Mounting Strap (A)	Mounting Screw (B)	Fixture Mounting Screw (C)				
Lock Nut (D)	Wire Connector (E)	Canopy (F)				
Loop Lock (G)	Chain (H)	Ball Nut (I)				

↑ Assembly Kit 6183MM (1 SET)



A: 20-1/8"
B: 15"
C: 15"