

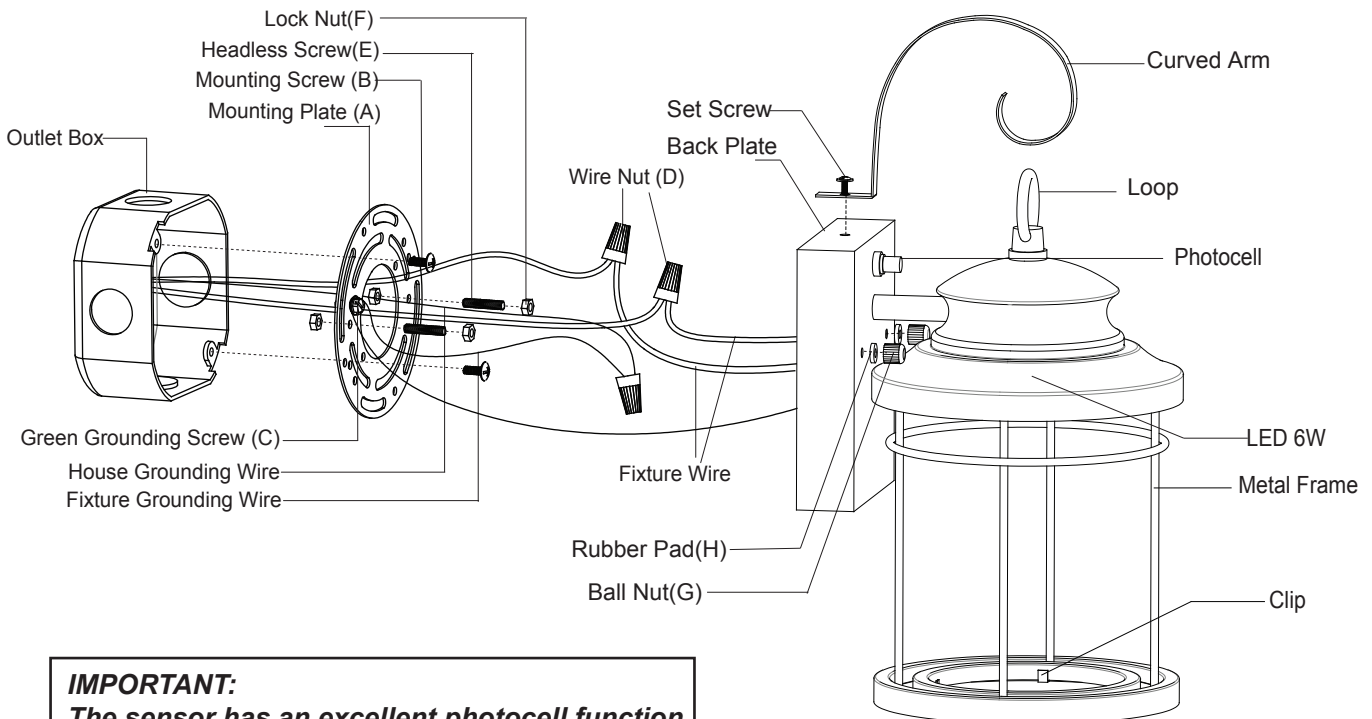
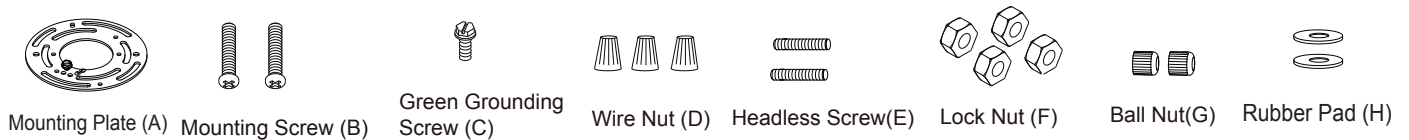
ASSEMBLY AND INSTALLATION INSTRUCTIONS

T0163

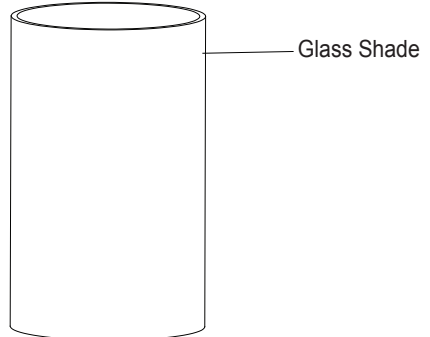
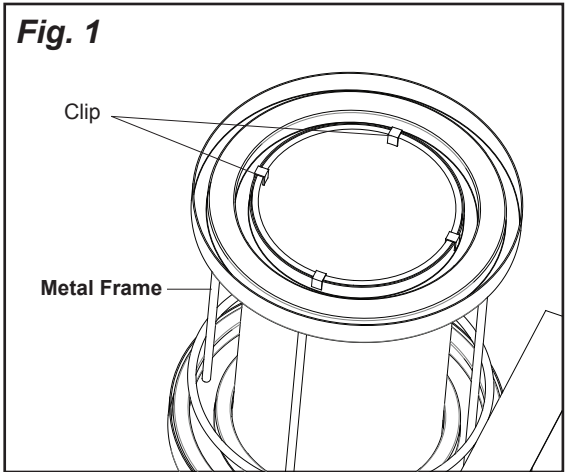
WARNING: TO AVOID RISK OF ELECTRICAL SHOCK, BE SURE TO SHUT OFF POWER WHILE INSTALLING OR SERVICING THIS FIXTURE.

NOTES: 1. Before installing, consult local electrical codes for wiring and grounding requirements.
2. READ AND SAVE THESE INSTRUCTIONS.

Hardware Package (included):



IMPORTANT:
The sensor has an excellent photocell function to enable the light to turn on at dusk and off at dawn automatically.



Installation Steps

Turn off the power at fuse or circuit box.

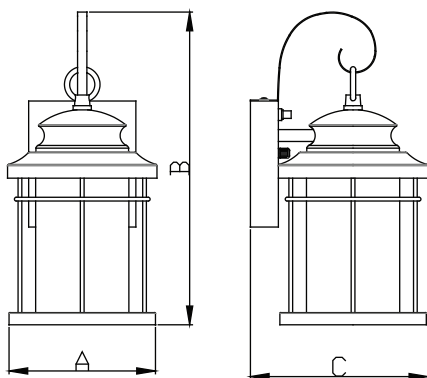
1. Thread two headless screws through the mounting plate, then secure them with four lock nuts (two on each side of the mounting plate). Adjust the length of the headless screws if necessary.
Note: Make sure that the headless screws are lined up horizontally to ensure that the fixture will be level.
2. Attach the mounting plate to the outlet box by using two mounting screws.
3. Hook the curved arm to the loop, and then attach the curved arm to the back plate by using the set screw.
4. Place the glass shade into the metal frame carefully, and then secure it by pressing the clips from the bottom side. (See Fig.1)
5. Pull out the source wires from the outlet box. Make wire connections using wire nuts as follow:
---Connect the hot wire (usually black insulation) from the fixture to the black wire from the power source.
---Connect the neutral wire (usually white insulation) from the fixture to the white wire from the power source.
---Attach the fixture grounding wire (usually green insulation or bare wire) to the mounting plate with the green grounding screw. Then connect it to the house grounding wire with the wire nut.
Carefully put the wires back into the outlet box.
6. Attach the back plate to the mounting plate by inserting the headless screws, then secure it with two rubber pads and two ball nuts.
CAUTION: With silicone caulking compound, caulk completely around where the back plate meets with the wall surface to prevent water from seeping into the outlet box.

Turn on the power at fuse or circuit box.

The following parts are available for re-order if damaged or missing.

Spare Parts List:

The diagram shows a collection of spare parts for the fixture. It is organized into two main boxes. The top box contains: Mounting Plate (A), Green Grounding Screw (C), Headless Screw (E), Ball Nut (G), Mounting Screw (B), Wire Nut (D), Lock Nut (F), and Rubber Pad (H). An arrow points from this box to 'Mounting Hardware 5166MM (1 SET)'. The bottom box contains: Curved Arm and Set Screw. An arrow points from this box to 'Assembly Kit 5173AA (1 SET)'. To the right of these boxes is a 'Glass Shade 9646CK (1PCS)'.



A: 8"

B: 15-3/4"

C: 9-1/8"

 VAXCEL

141203