

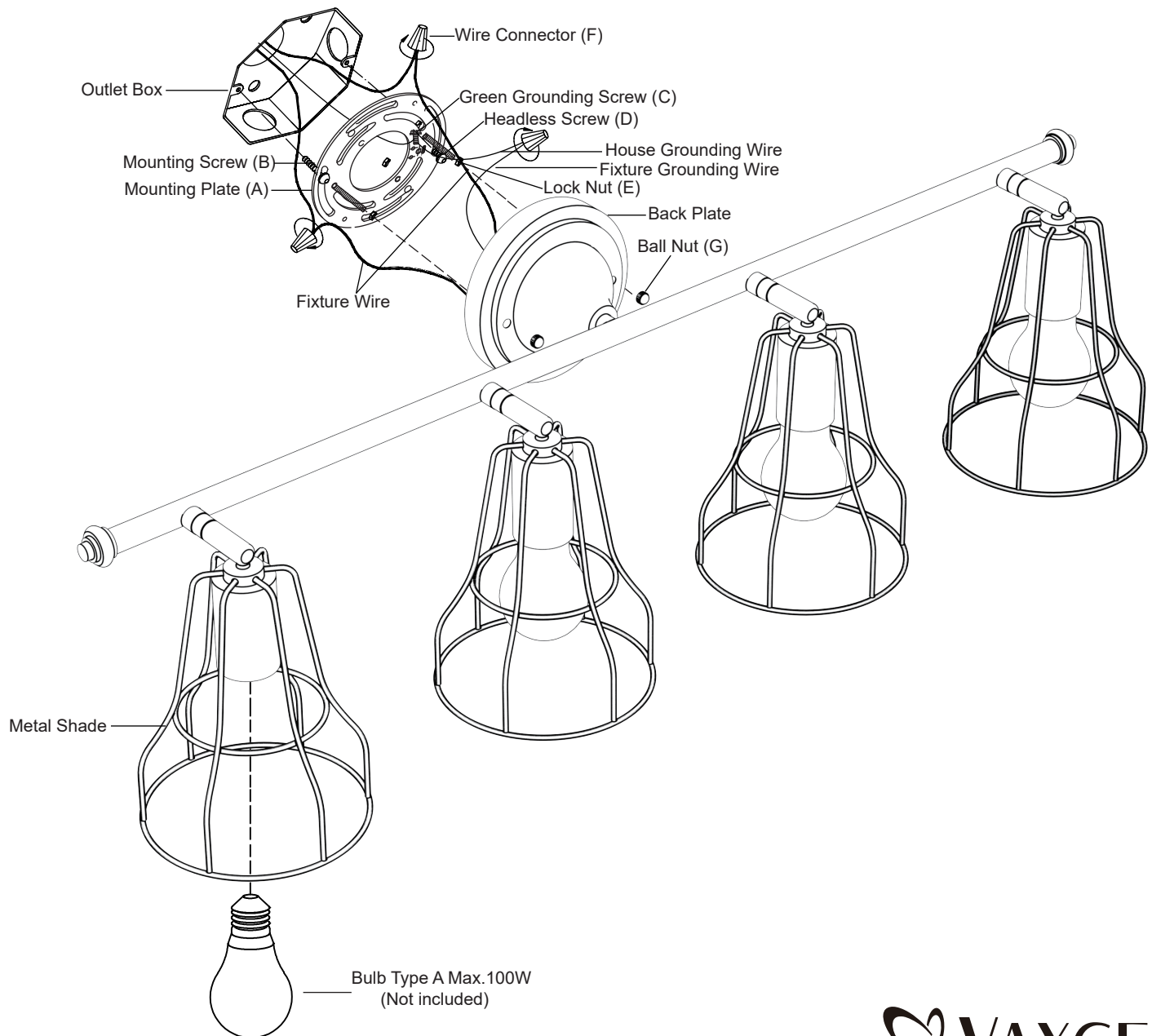
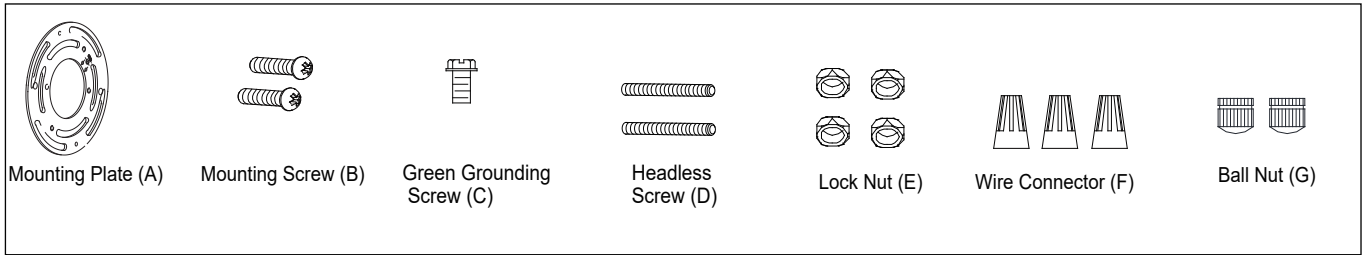
ASSEMBLY AND INSTALLATION INSTRUCTIONS

W0314

WARNING: TO AVOID RISK OF ELECTRICAL SHOCK, BE SURE TO SHUT OFF POWER BEFORE INSTALLING OR SERVICING THIS FIXTURE.

NOTES: 1. Before installing, consult local electrical codes for wiring and grounding requirements.
2. READ AND SAVE THESE INSTRUCTIONS.

Hardware Package (included):



Installation Steps

1. Thread two headless screws through the mounting plate, then secure them with four lock nuts (two on each side of the mounting plate). Adjust the length of the headless screws if necessary.

Note: Make sure that headless screws are lined up horizontally, in order to ensure that the fixture will be level.

2. Attach the mounting plate to the outlet box by using two mounting screws.

3. Pull out the source wires from the outlet box. Make wire connections using wire connectors as follows:

---Connect the hot wire (black insulation) from the fixture to the black wires from the power source.

---Connect the neutral wire (white insulation) from the fixture to the white wires from the power source.

---Attach the fixture grounding wire (green insulation or bare wire) to the mounting plate with the green grounding screw, and then connect it to the house grounding wire with the wire connector.

Carefully put the wires back into the outlet box.

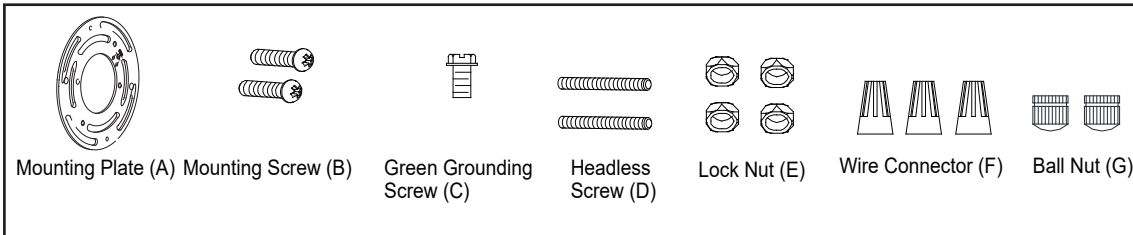
4. Attach the back plate to the mounting plate by inserting the headless screw, then secure it with the two ball nuts.

5. Install the four bulbs (not included). Check relamping label at socket area or packaging for maximum allowed wattage.

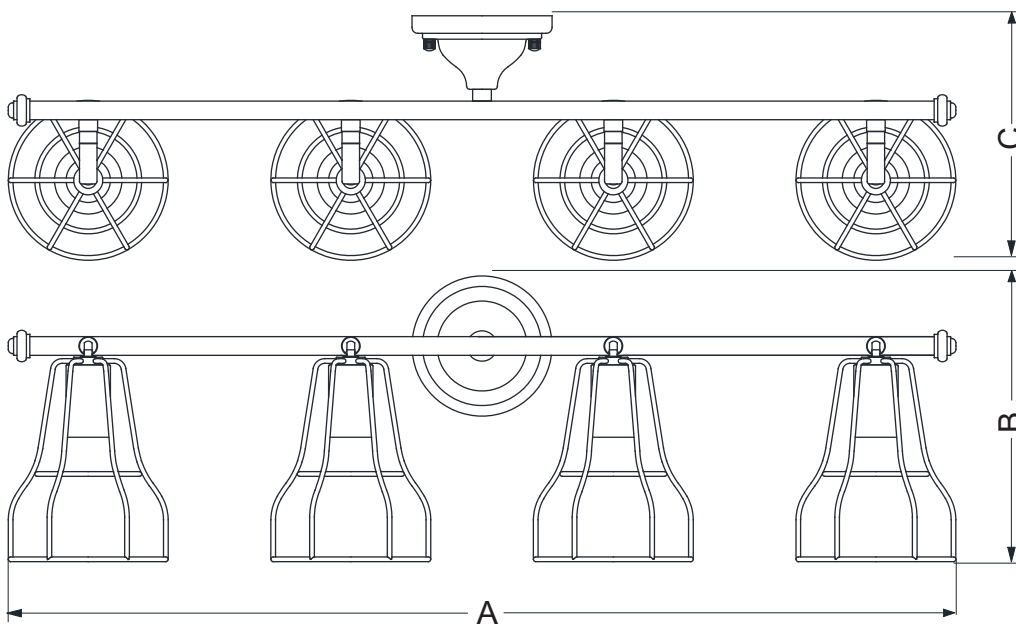
Turn on the power at fuse or circuit box

The following parts are available for re-order if damaged or missing.

Spare Parts List:



Assembly Kit
5995 MM (1SET)



A: 31-3/4"

B: 9-3/4"

C: 8-1/4"